

ADVANTAGES



ADVANTAGES of the
ELECTRIC SEED DRILL



modula_one

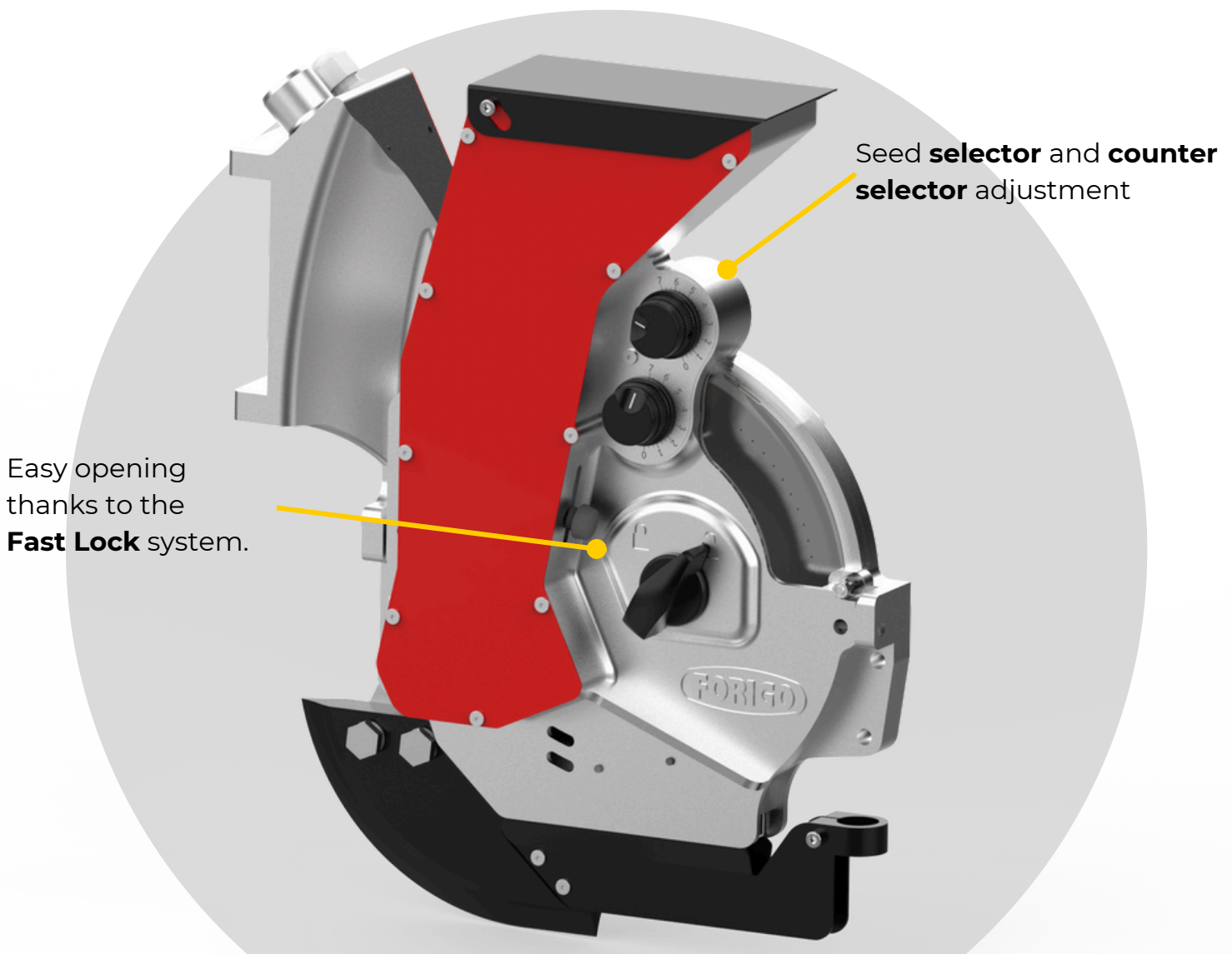
- 100% electric
- Easy to use
- Maximum precision
- Versatile



Advantages of the **AIRDRIVE** seed distributor



- **100% electric:** eliminates mechanical transmissions such as wheels, gearboxes and chains, reducing wear and maintenance.
- **Integrated motor:** allows precise sowing without limits of density or distance.
- **Flexibility and speed:** easy to set up and assemble.
- **High precision aluminum structure:** guarantees the careful handling of seeds.
- **High accessibility:** quick and easy adjustments.
- **Secure closing:** intuitive and fast opening system.
- **Optimized seed flow:** reduces the risk of breakage and improves the flow.

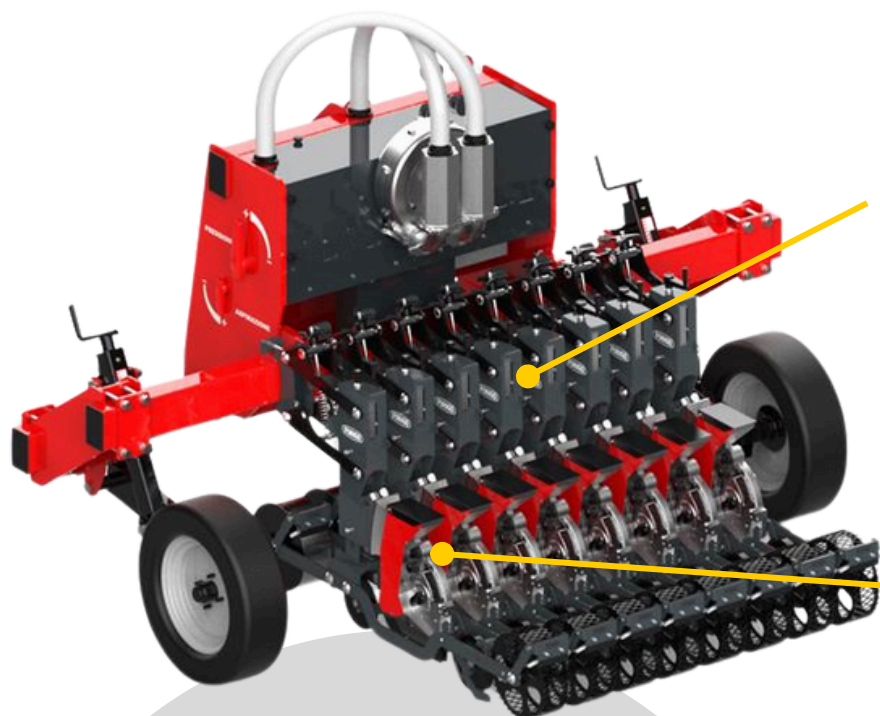


Easy opening
thanks to the
Fast Lock system.

Seed **selector** and **counter selector** adjustment

EASY TO USE

Easy adjustment of distributor and seeding elements



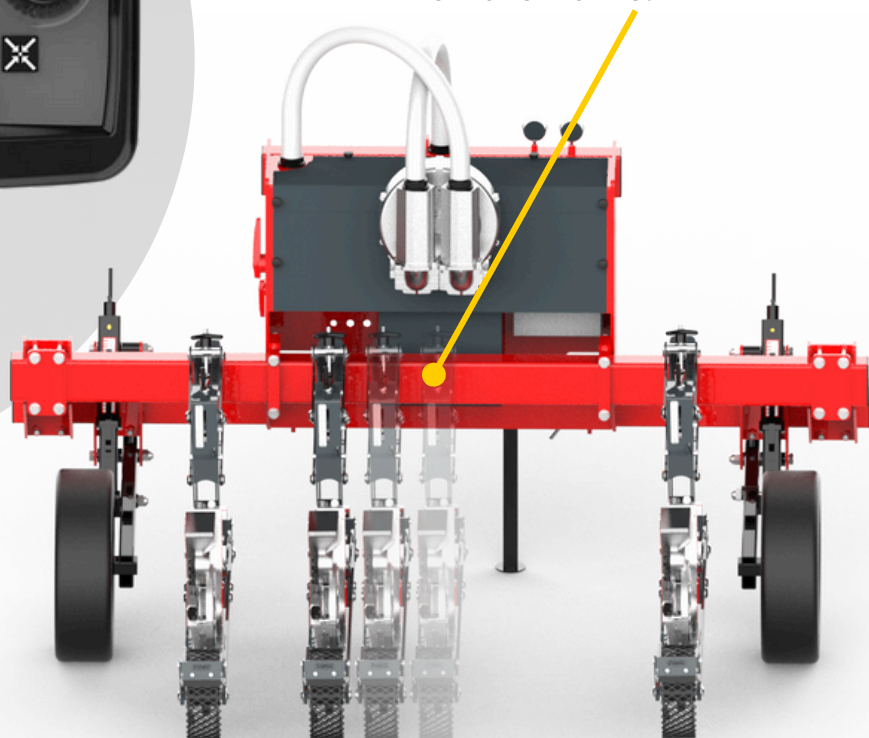
 Adjustment point in competing solutions.

Our operator-oriented adjustment point  ensures **easier and more intuitive regulation.**



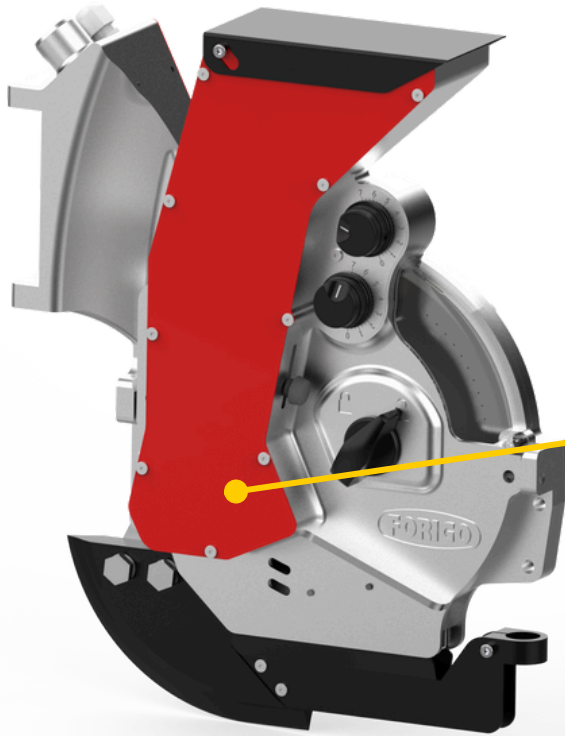
Possibility to **disable the seeding elements** by **electronic control.**

Flexible adjustment of the seeding elements on the frame.

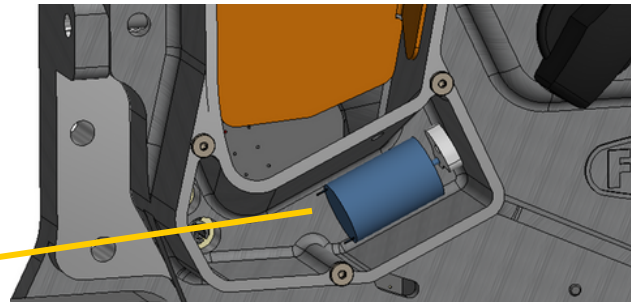


PRECISION

Guarantee of seed integrity



The mechanical systems adopted by competitors prove ineffective, compromising both the precision in seed placement and its integrity.



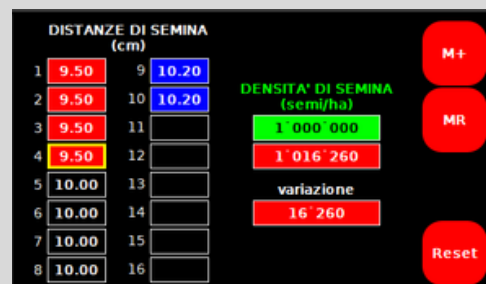
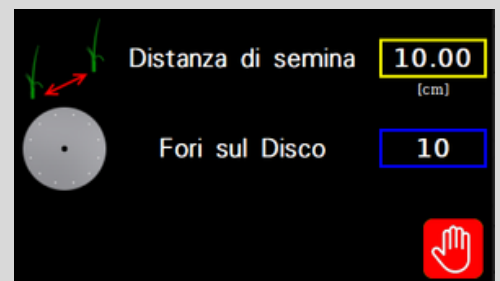
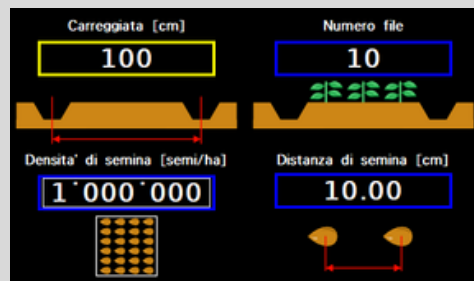
On the other hand, our exclusive and patented system guarantees a uniform flow of seeds without any direct contact with mechanical elements.

Thanks to an integrated electric motor, it generates controlled vibrations which promote the smooth movement of seeds towards the disc, ensuring precision and reliability.

VIBRATION SYSTEM



Thanks to the **electronic control**, we can manage and **adjust seeding density and distance**, also monitoring the quantity used.



VERSATILE

Thanks to the wide range of seeding elements, we can adapt to any type of crop.

	Sorrel		Coriander		Turnip
	Amaranth		Chrysanthemum		Radish
	Dill		Cumin		Rosemary
	Watermelon		Helichrysum		Sage
	Anise		Chives		Celery
	Asparagus		Fennel		Mustard
	Balsamo		Wheat		Soybeans
	Sugar beet		Lettuce		Sorghum
	Red beet		Marjoram		Larkspur
	Basil		Sweet corn		Spinach
	Borage		Melon		Sweet William
	Broccoli		Millet		Thyme
	Carrots		Nigella		Zucchini
	Carthamus		Poppy		
	Cauliflower		Paprika		
	Cabbage		Parsnip		
	Chervil		Pepper		
	Cucumber		Peas		
	Chicory		Tomato		
	Onion		Leek		
	Rapeseed		Parsley		